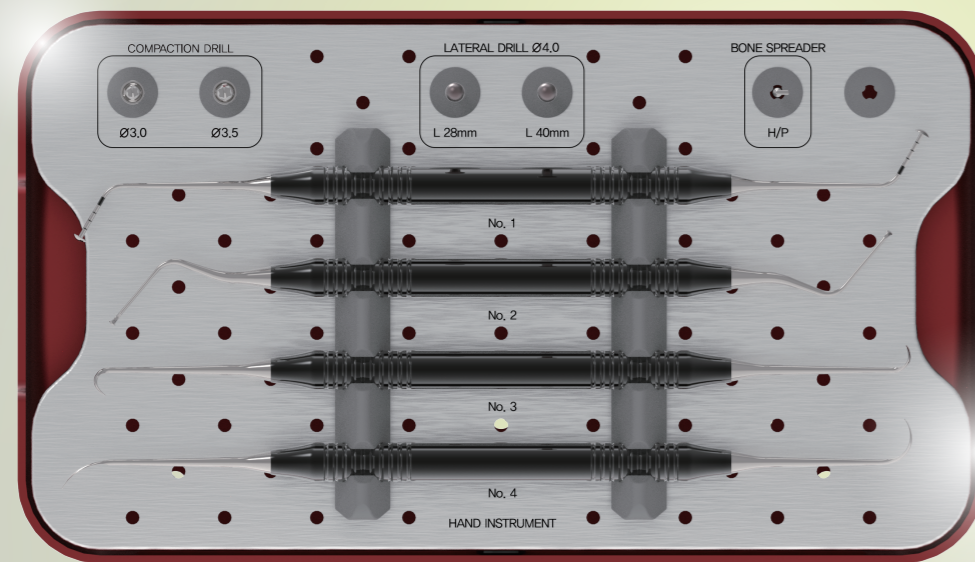


Minimalism in Sinus

Easy & Safe

Shorter
Chairtime

DASK Simple



DASK Simple

Minimalism in Sinus

DASK Simple

Dentium DENTIUM Co., Ltd.
76, Changnyong-daero 256beon-gil, Yeongtong-gu, Suwon-si, Gyeonggi-do, Korea 16229
www.globaldentium.com

Specifications are subject to change without any notice.
Some products listed in this catalog may not be available in the market due to pending approval.



Dentium

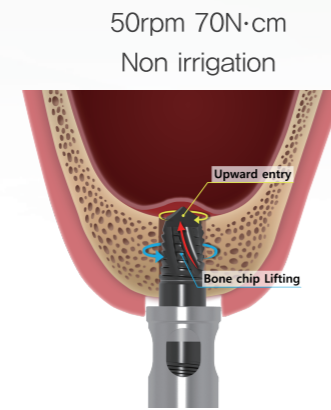
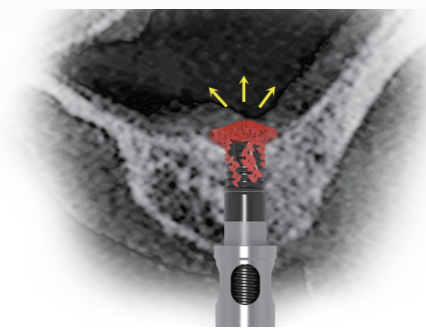
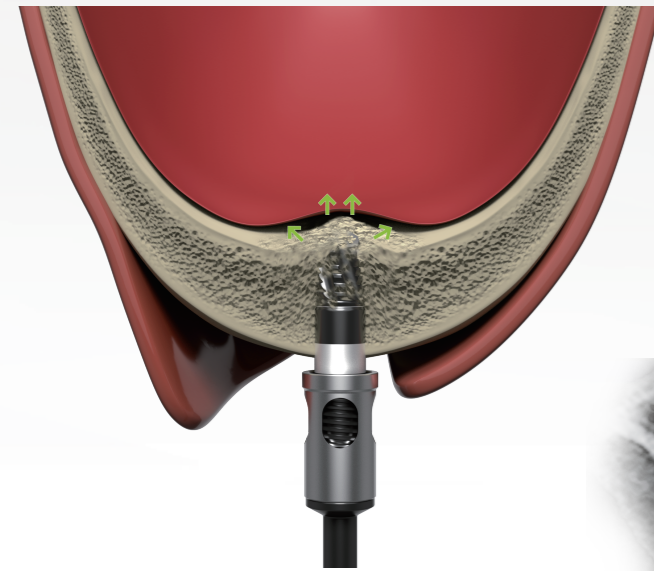
DASK Simple

Crestal approach

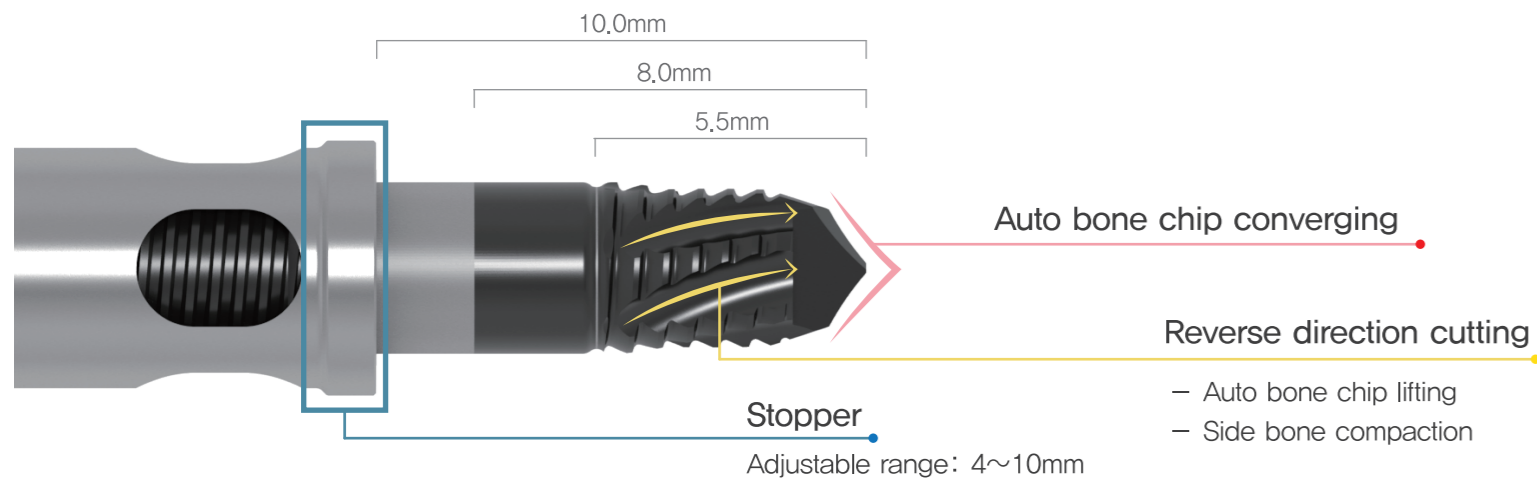
SPECIFICATION

Bone Compaction

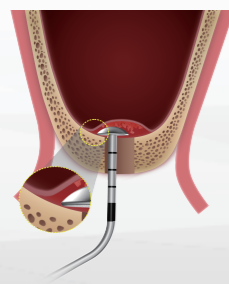
Safe membrane elevation



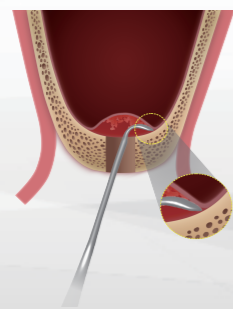
50rpm 70N-cm
Non irrigation



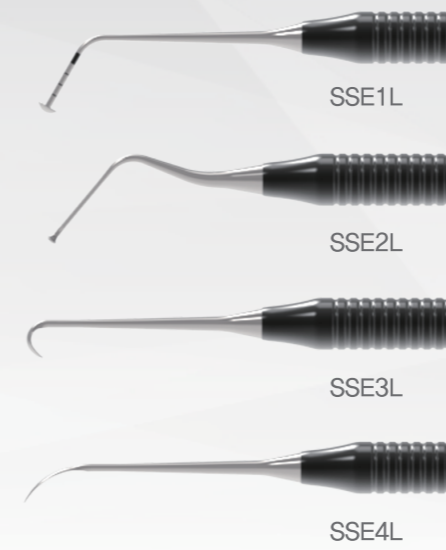
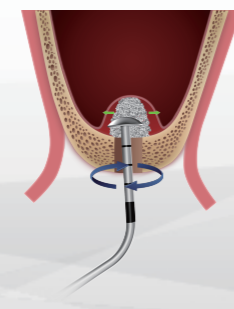
Detaching



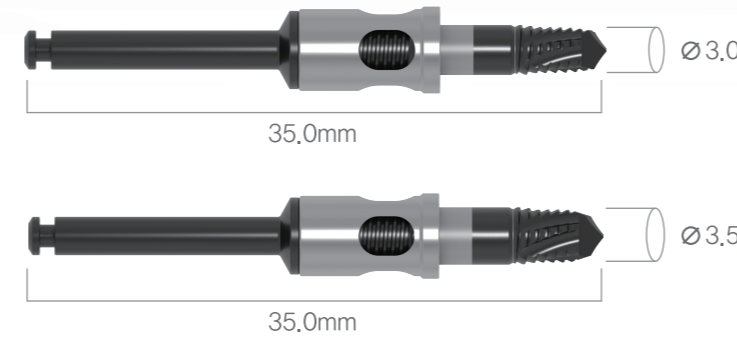
Sinus Lifting



Round Instrument



Compaction Drill

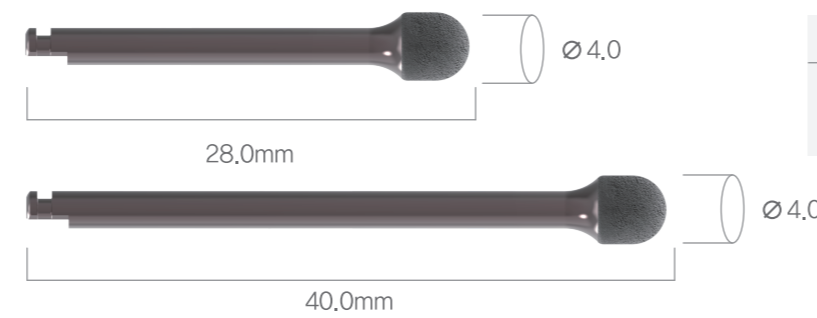


Top view Diameter \varnothing 3.0

※ Drills be replaced after 50 uses

Diameter	L	Art. No
\varnothing 3.0	35.0mm	SRT3035AS
\varnothing 3.5	35.0mm	SRT3535AS

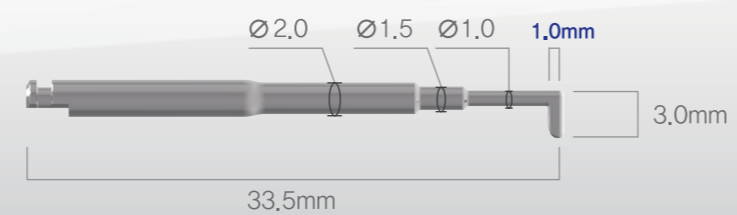
Lateral Drill



※ Drills be replaced after 40 uses

Diameter	L	Art. No
\varnothing 4.0	28.0mm	SLD0428
\varnothing 4.0	40.0mm	SLD0440

Bone Spreader

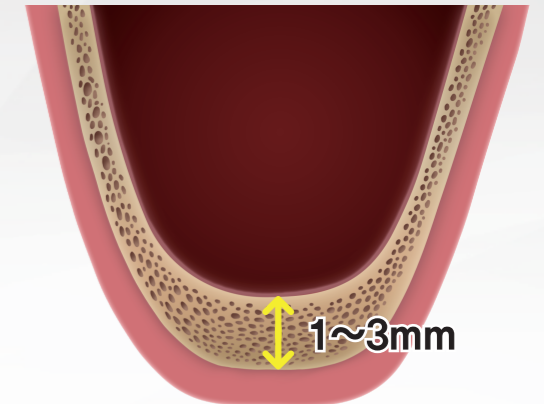


Diameter	L	Art. No
\varnothing 5.0	33.5mm	SSP33

DASK Simple

Lateral approach

NEW



✓ Handy easy

Unlimited approach with Lateral Drill for Sinus solution

✓ Free crestal and lateral excess

